

55\*



\*Actual product appearance may differ from the above simulated scene.

# UL Listed Ultra HD Hospital TV

## UT672M Series

Commercial Lite	Pro:Centric	Pro:Centric Enhanced	Pro:Centric Smart
-----------------	-------------	----------------------	-------------------

The UT672M Hospital TV series provides advanced technology designed to meet the needs of patients and staff. A cost-effective solution for healthcare facilities, the TV features include Pillow Speaker support and Hospital UL Certification, which are designed to enhance patient-centered care.

UL Listed Ultra HD Hospital TV  
**UT672M SERIES**

**FEATURES FOR THE HOSPITAL ENVIRONMENT**

**Pillow Speaker Ready**

Audio and video can be controlled directly by a pillow speaker for patient convenience.\*

\* Requires third-party pillow speaker.

**Nurse Call System**

Improve patient care and staff response with this reliable nurse call system using a pillow speaker. Hospital staff can quickly and easily be called when needed.

**UL Hospital Grade Listed**

The UT672M series is UL listed for use in healthcare and hospital environments.



# UL Listed Ultra HD Hospital TV

## UT672M SERIES

### FEATURE HIGHLIGHTS

#### Pro:Centric Application Platform

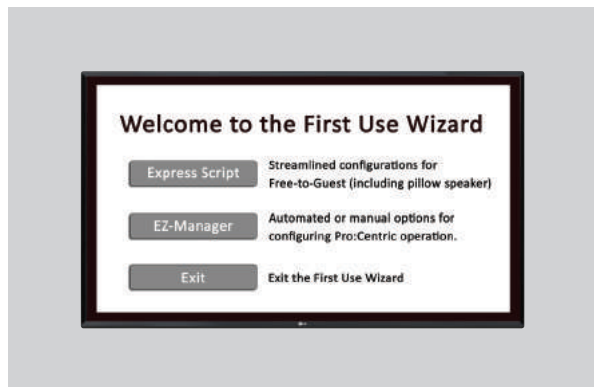
An industry-leading television that supports the Pro:Centric platform, LG's new UT672M Series allows healthcare facilities to customize the patient room experience. The Pro:Centric application enables the UT672M to provide an interactive program guide and display facility information, such as dietary menus and patient room information.\*



\* May require additional software and hardware to support third-party partner interactive systems or LG's Free-to-Guest Mode / Pro:Centric application

#### First Use Wizard

The First Use Wizard offers quick configuration options including Express Script, which allows you to easily enable and configure Hospital Mode features.



Above screen image is simulated.

#### Pro:Idiom

Digital Rights Management (DRM) technology unlocks access to premium content to help assure rapid and broad deployment of HDTV and other high-value digital content.



# UL Listed Ultra HD Hospital TV

## UT672M SERIES

### FEATURE HIGHLIGHTS

#### Ultra HD 4K Resolution

UHD delivers a resolution four times higher than that of Full HD, creating a more realistic and immersive television viewing experience. The stunning 8.3 million pixels create flawless images with incredibly vivid detail.



#### Instant On

When the TV is turned off, the Instant On feature allows the Pro:Centric app to remain loaded giving guests quick access to content when they turn on the TV.



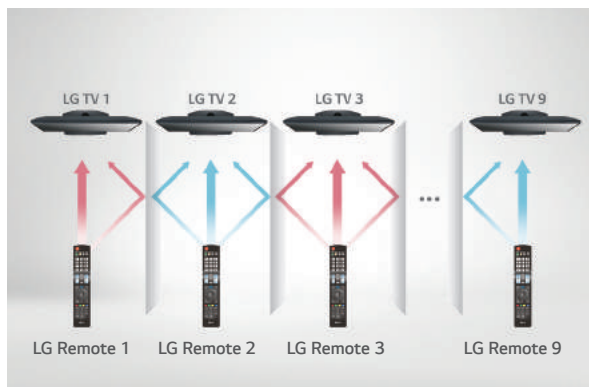
#### Self Diagnostics via USB

The UT672M TV Series stores 24-hour diagnostic data, which can be saved to a USB memory device, enabling service engineers to identify technical issues quickly and easily.



#### Multi-code IR

Multi-code IR\* function eliminates any remote control signal interference between TVs in rooms with multiple TVs installed.

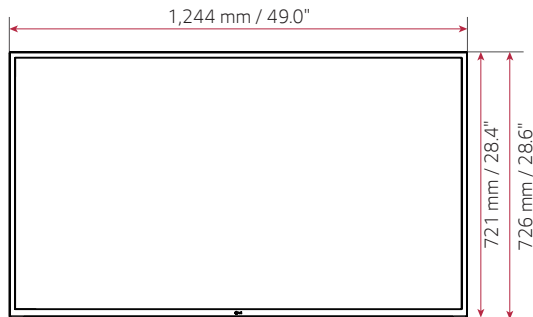


\* Requires optional multi-code IR remote.

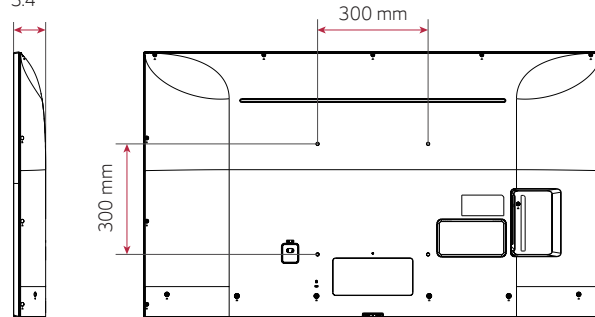
UL Listed Ultra HD Hospital TV  
**UT672M SERIES**

**DIMENSIONS**

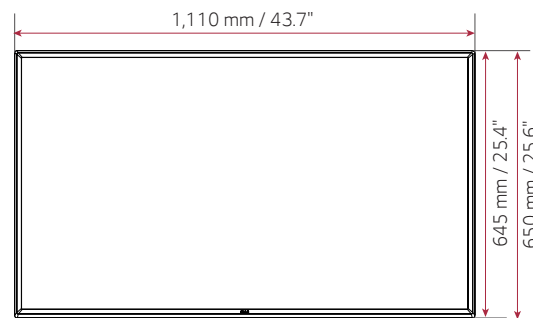
55"



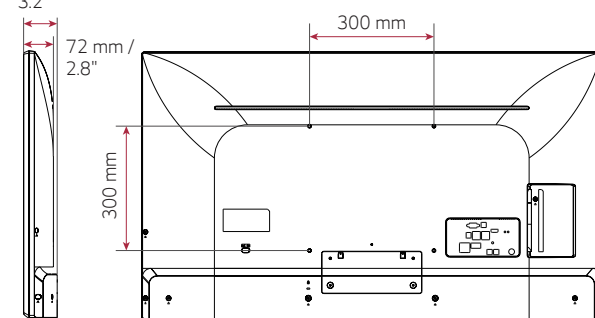
87 mm / 3.4"



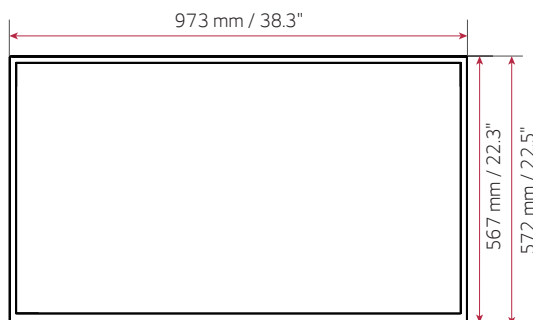
49"



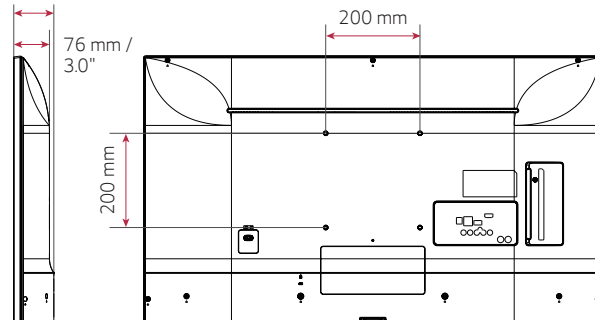
81 mm / 3.2"



43"



85 mm / 3.3"



UL Listed Ultra HD Hospital TV

# UT672M SERIES

## SPECIFICATIONS

		43UT672M0UC	49UT672M0UB	55UT672M0UC
DISPLAY	Diagonal Size	43"	49"	55"
	Resolution	3840 x 2160 (UHD)	3840 x 2160 (UHD)	3840 x 2160 (UHD)
	Backlight Unit Type	Direct	Direct	Direct
	Brightness	300 nits	400 nits	400 nits
	Dynamic Contrast Ratio (Dynamic MCI (Hz))	1,000,000:1	1,000,000:1	1,000,000:1
	Static (Panel) Contrast Ratio	1200:1	1200:1	1300:1
	Refresh Rate	60 Hz	60 Hz	60 Hz
	Response Time (G to G)	8 ms	9 ms	8 ms
	Life Span	30,000 hours	30,000 hours	30,000 hours
VIDEO	HDR 10 Pro	Yes	Yes	Yes
	HDR HLG	Yes	Yes	Yes
	UHD Contents Streaming Support	USB / IP / HDMI / RF	USB / IP / HDMI / RF	USB / IP / HDMI / RF
	Tru 4K Upscaler	Yes	Yes	Yes
BROADCASTING	Digital	ATSC / Clear QAM / VSB	ATSC / Clear QAM / VSB	ATSC / Clear QAM / VSB
	Analog	NTSC	NTSC	NTSC
	MPEG-2 / MPEG-4 H.264 Decoding	Yes	Yes	Yes
AUDIO	Speaker (Sound Output)	10 W + 10 W	10 W + 10 W	10 W + 10 W
	Speaker System	2.0 ch	2.0 ch	2.0 ch
	One Touch Sound Tuning	Yes	Yes	Yes
	LG Sound Sync	Yes	Yes	Yes
HOSPITALITY	Pro:Centric Data Streaming (IP & RF)	Yes	Yes	Yes
	Pro:Centric IP Return Path	Yes	Yes	Yes
	Pro:Centric webRTC (Real Time Communication)	Yes	Yes	Yes
	Pro:Centric Direct (HTML)	Yes	Yes	Yes
	Pro:Centric Application (Java)	Yes	Yes	Yes
Pro:Idiom Software DRM	Yes	Yes	Yes	
SMART FEATURES	Smart Launcher	Yes	Yes	Yes
	Web Browser	Yes	Yes	Yes
	Pre-loaded Apps	Yes	Yes	Yes
	Magic Motion Remote (MMR) Compatible	Yes	Yes	Yes
	SoftAP	Yes	Yes	Yes
	Wi-Fi	Yes	Yes	Yes
	Screen Share (Miracast / WiDi)	Yes	Yes	Yes
	Smart Share (DLNA)	Yes	Yes	Yes
	LG Connect (LG TV Plus App)	Yes	Yes	Yes
	DIAL	Yes	Yes	Yes
Beacon	Yes	Yes	Yes	
Bluetooth Audio Playback	Yes	Yes	Yes	

Design and specifications subject to change without notice. Please contact your LG sales team to verify before ordering.

# UL Listed Ultra HD Hospital TV

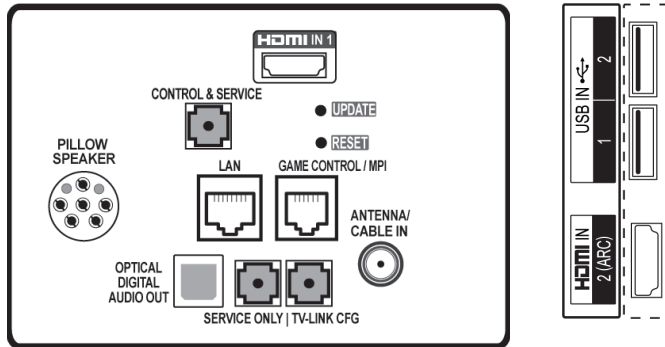
## UT672M SERIES

### SPECIFICATIONS

	43UT672M0UC	49UT672M0UB	55UT672M0UC	
<b>OTHER FEATURES</b>	First Use Wizard	Yes	Yes	Yes
	USB Data Cloning	Yes	Yes	Yes
	WOL	Yes	Yes	Yes
	SNMP	Yes	Yes	Yes
	SI Compatible	Yes (MPI, RS-232C)	Yes (MPI, RS-232C)	Yes (MPI, RS-232C)
	Simplink (HDMI-CEC) plus CEC-HTNG	Yes (1.4)	Yes (1.4)	Yes (1.4)
	IR Out	Yes (MPI, RS-232C)	Yes (MPI, RS-232C)	Yes (MPI, RS-232C)
	Multi-code IR	Yes	Yes	Yes
	Installer Menu	Yes	Yes	Yes
	Welcome Screen (Boot Logo)	Yes	Yes	Yes
	Instant On	Yes	Yes	Yes
	VLAN	Yes	Yes	Yes
	RJP (Remote Jack Pack) Compatibility	HDMI (CEC)	HDMI (CEC)	HDMI (CEC)
	USB Auto Playback	Yes	Yes	Yes
	Auto Off / Sleep Timer	Yes / Yes	Yes / Yes	Yes / Yes
	Smart Energy Saving	Yes	Yes	Yes
	Motion Eye Care	Yes	Yes	Yes
Embedded b-LAN	Yes	Yes	Yes	
UL Hospital Grade Listed	Yes	Yes	Yes	
Pillow Speaker Interface	Yes	Yes	Yes	
<b>INTERFACES</b>	HDMI In	2 (2.0)	2 (2.0)	2 (2.0)
	USB	2 (2.0)	2 (2.0)	2 (2.0)
	RF In	Yes	Yes	Yes
	Optical Digital Audio Out	Yes	Yes	Yes
	RS-232C In (Control & Service)	3.5 mm (TXD, RXD, IR Out, GND)	3.5 mm (TXD, RXD, IR Out, GND)	3.5 mm (TXD, RXD, IR Out, GND)
	LAN (RJ45)	Yes (Ethernet)	Yes (Ethernet)	Yes (Ethernet)
	Speaker Out / Line Out	3.5 mm Stereo Jack	3.5 mm Stereo Jack	3.5 mm Stereo Jack
	TV-Link Configuration (for b-LAN)	Yes	Yes	Yes
	Game Control / MPI (RJ12)	Yes	Yes	Yes
	Service Port	3.5 mm Stereo Jack	3.5 mm Stereo Jack	3.5 mm Stereo Jack
	Pillow Speaker (6 pin DIN)	Yes	Yes	Yes
<b>MECHANICALS</b>	Front Color	Ceramic Black	Ceramic Black	Ceramic Black
	VESA Compatible (W x H)	200 x 200	300 x 300	300 x 300
	Kensington Lock	Yes	Yes	Yes
	Weight	17.6 lbs / 8.0 kg	24.5 lbs / 11.1 kg	31.5 lbs / 14.3 kg
	Shipping Weight	22.3 lbs / 10.1 kg	29.1 lbs / 13.2 kg	42.6 lbs / 19.3 kg
	Dimensions without Stand (W x H x D) (Depth: Front to VESA)	38.3" x 22.5" x 3.0" / 973 x 572 x 76 mm	43.7" x 25.6" x 2.8" / 1,110 x 650 x 72 mm	49" x 28.6" x 3.4" / 1,244 x 726 x 87 mm
	Dimensions without Stand (W x H x D) (Depth: Front to Lower Back)	38.3" x 22.5" x 3.3" / 973 x 572 x 85 mm	43.7" x 25.6" x 3.2" / 1,110 x 650 x 81 mm	49.0" x 28.6" x 3.4" / 1,244 x 726 x 87 mm
Shipping Dimensions (W x H x D)	41.7" x 26.0" x 6.0" / 1,060 x 660 x 152 mm	47.0" x 30.3" x 6.2" / 1,193 x 770 x 158 mm	53.5" x 32.9" x 6.9" / 1,360 x 835 x 175 mm	
Bezel Width (L / R / T / B)	14 / 14 / 14 / 20 mm	17 / 17 / 17 / 21 mm	16 / 16 / 16 / 22 mm	
<b>POWER</b>	Power Supply	120 V, 50 / 60 Hz	120 V, 50 / 60 Hz	120 V, 50 / 60 Hz
	Max Power Consumption	110 W	125 W	165 W
	Typical Power Consumption	53 W	56 W	71 W
	Standby Power Consumption	Less than 0.5 W	Less than 0.5 W	Less than 0.5 W
<b>WARRANTY &amp; OTHER</b>	Standards	UL	UL	UL
	EMC Certification	FCC	FCC	FCC
	Accessories	Power Cord	Power Cord	Power Cord
	Chromecast Anti-theft Cover	Yes (Optional)	Yes (Optional)	Yes (Optional)
	Power Cord	1.8 m, Right Angle	1.8 m, Right Angle	1.8 m, Right Angle
	Warranty	Two-Year Limited Warranty	Two-Year Limited Warranty	Two-Year Limited Warranty
	UPC	7 19192 63101 4	7 19192 63100 7	7 19192 63099 4

Design and specifications subject to change without notice. Please contact your LG sales team to verify before ordering.

## CONNECTIVITY



Design and specifications subject to change without notice.  
Please contact your LG sales team to verify before ordering.

- [www.lg.com/us/business/commercial-display](http://www.lg.com/us/business/commercial-display)
- [www.twitter.com/LGCommDisplays](https://twitter.com/LGCommDisplays)
- [www.facebook.com/LGcommercialdisplays](https://www.facebook.com/LGcommercialdisplays)
- [www.linkedin.com/company/lg-commercial-displays-usa](https://www.linkedin.com/company/lg-commercial-displays-usa)
- [www.youtube.com/lgcommercialdisplayusa](https://www.youtube.com/lgcommercialdisplayusa)
- 800-228-1236 | Hospitality Sales

LG may make changes to specifications and product descriptions without notice.  
© Copyright 2019 LG Electronics USA, Inc., 2000 Millbrook Dr., Lincolnshire, IL 60069, USA . All rights reserved. LG and the LG logo are registered trademarks of LG Corp. All other trademarks are the property of their respective owners. Prices and products may vary by dealer. Prices, designs, features and specifications are subject to change without notice. All screen images are simulated. Pro:Centric and the "Pro:Centric" logo are registered trademarks of LG Electronics Inc. Pro:Idiom is a registered trademark of Zenith Electronics LLC.  
SPEC\_UT672M\_1019SD\_LR